

SIMPLE - SMART - BACKHAUL ALTERNATIVE



Memorylink's Instalink4™ provides a simple, secure, cost effective, and reliable T1/E1 replacement solution in an all-in-one package. Utilizing Memorylink's field proven Flanger 4 Plus™ and the new technology introduced in Gigahertz™, Instalink4 ships pre-configured and ready to install. Bring up your TDM lines today! Instalink4 is extremely simple to install and maintain, minimizing costs. Keeping CAPEX and OPEX low, Instalink4 gives operators the ability to expand their networks quickly while maintaining profitability. This solution meets the needs of cellular carriers, service providers, enterprises, private networks, and government and military users around the globe. Instalink4 brings carrier class performance at the most competitive price in the industry.

INSTALINK4 AT A GLANCE

- Carries up to 4 T1/E1 ports as well as IP/Ethernet traffic
- 54Mbps OFDM wireless Ethernet Bridge and TDM over IP Multiplexors
- Point-to-Point and Cascaded Point-to-Point Backhaul Architectures
- 5Ghz – Quad band UNII-1, UNII-2, UNII-3 and UNII-4 support. 802.11h DFS-2 support
- Provides a connection for the customer's 10/100 LAN and forwards that connection to its partner Flanger 4 Plus along with the T1/E1 payload
- Supports six T1/E1 clock modes on a per-channel basis—industry leading clock recovery
- Provides a local Ethernet port for configuration and management, and an HTTP interface
- SNMP Support
- Supports synchronization with cascaded Flanger 4 Plus units for support of up to 8 T1/E1 lines
- Fully compatible with Memorylink's Flanger Ultra eight-port rack mount multiplexer

PROVEN SOLUTION FOR T1/E1 REPLACEMENT

Application

- Eliminate monthly leased line charges
- T1/E1 services where wired services is cost prohibitive or impossible
- Connecting PBX/LANs in campus environments
- Cellular backhaul
- Backhaul for two-way radio and trunking systems
- Disaster recovery
- Provision of redundant T1/E1 links

Add your own antenna and get a T1 or E1 installed and running today!

T1
today™

E1
today™

INSTALINK4 SPECIFICATIONS

For detailed specifications on Flanger 4 Plus and GigaHertz please see individual data sheets.

Package Includes

- 2 Indoor Units' Flanger 4 Plus
- 2 Outdoor Units' GigaHertz
- GHR5000 series radio units
- 2 Power Supplies

Regulatory

- FCC Part 15 Subpart B Class A

Environmental

GigaHertz Radio

- NEMA IP-67 rated enclosure
- RoHS Directive 2002/95/EC compliance
- Operating Temperature: -30° C to +70° C

Flanger (Indoor)

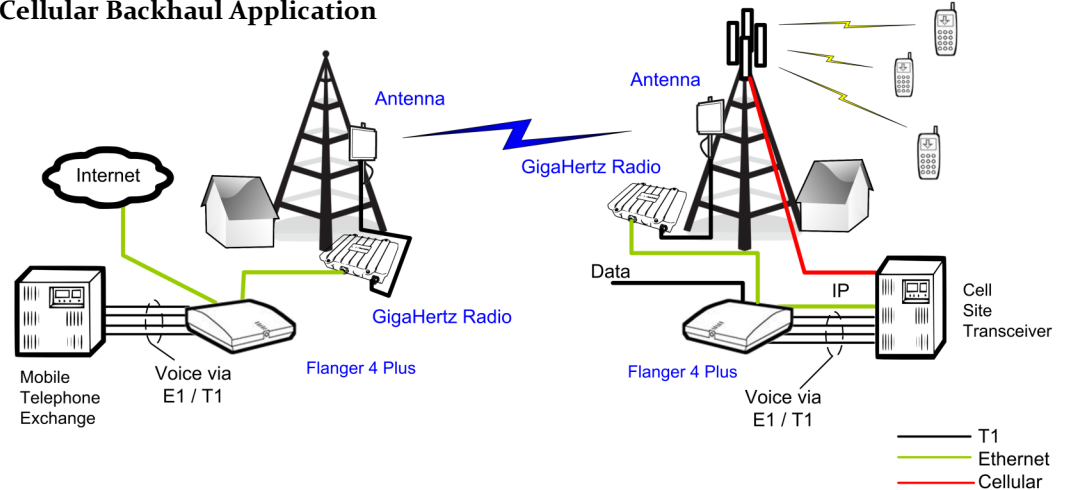
- RoHS Directive 2002/95/EC compliance
- Operating Temperature: 0° C to +50° C

Memorylink Part Number: IL001

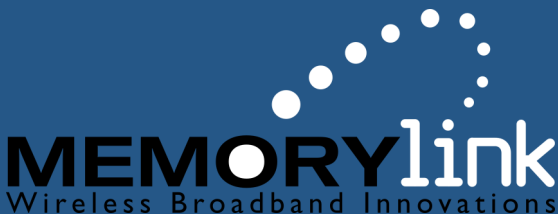
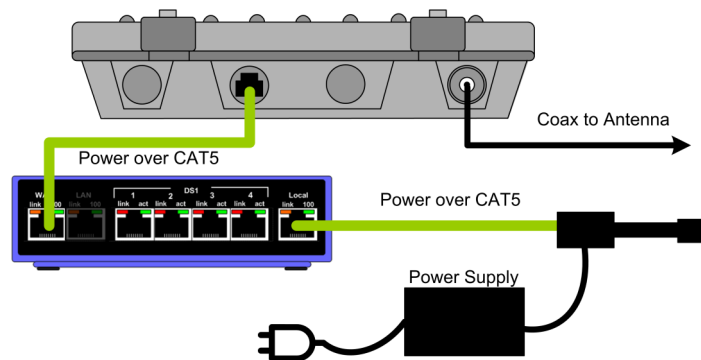
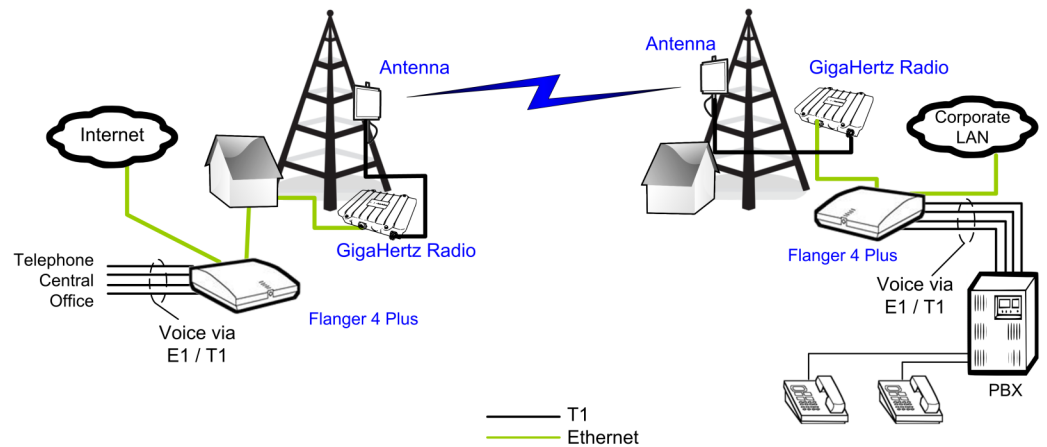
Weight: 15.41 lbs.

Dimensions: 16in x 14in x 10in

Cellular Backhaul Application



PBX Application



590 Tollgate Rd. Ste B Elgin, IL 60123
847.259.9680 www.memorylink.com